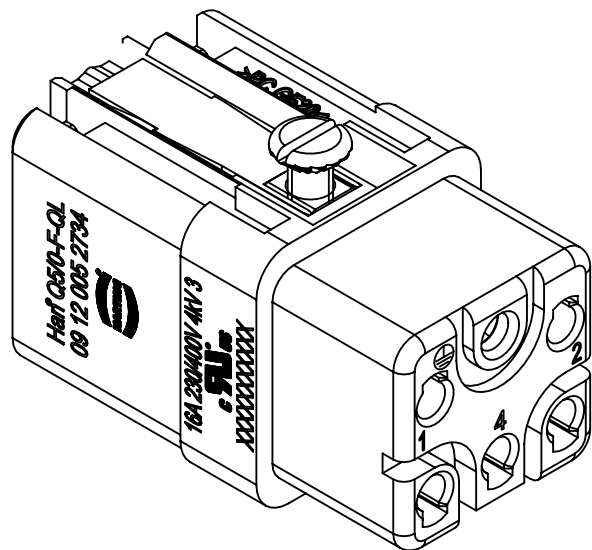
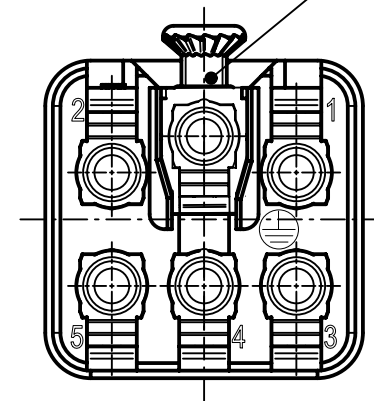


insert fixing screw M3x6  
separately enclosed



	All Dimensions in mm Original Size DIN A4		Scale 2:1	Free size tol.		Ref.	
			Created by BALSAN	Inspected by 402602	Standardisation SAP_WFRT	Date 2022-10-17	State Final Release
		All rights reserved Department EL PD	Title Han Q5/0 Insert female quick lock 1,5mm <sup>2</sup>			Doc-Key / ECM-Nr. 10021604.7/UGD/002/F 500000227850	
		HARTING D-32339 Espelkamp	Type TB	Number 09 12 005 2734		Rev. F	Page 1/1